
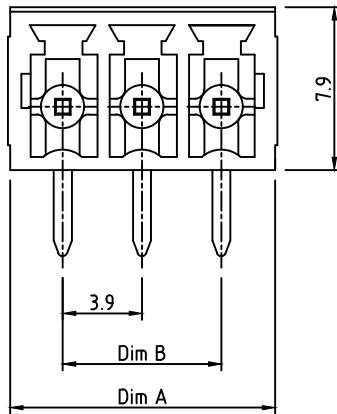
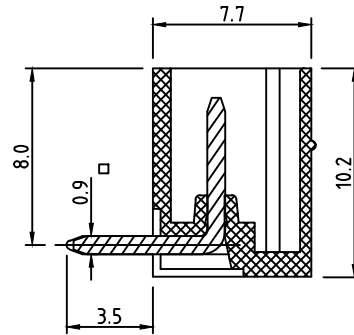
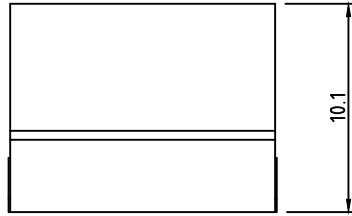


## SPECIFICATIONS

Current Rating: 10/10.5 Amps  
 Voltage Rating: 300V  
 Dielectric withstanding: 1.6KV/2.5KV  
 Operating Temperature: -40°C~+115°C  
 Max Processing Temp: 250°C ±10°C for 5 Seconds  
 Soldering Material: Copper with Tin Plating  
 Insulator Material: Thermoplastic UL 94V-0

Safety Rating:  



RPLJ-XXABXA-FG

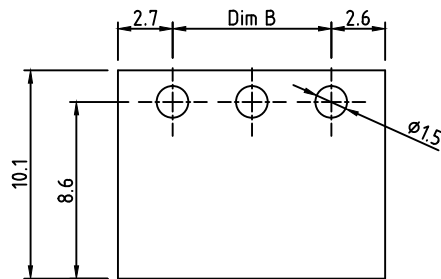
02:	2Pos
03:	2Pos
04:	2Pos
""	""
24:	24Pos

FG: RoHS Compliant  
(Lead <4% in Copper Alloy)

J: Black(RAL9005)  
 B: Red(RAL3001/D)  
 C: Orange(RAL2011/P)  
 D: Yellow(RAL1018/A)  
 E: Green(RAL6018/T)  
 F: Blue(RAL5015/A)  
 H: Grey(RAL7035/D)

N=Number of contacts

### P.C.B. LAYOUT



### Dimensions

A	$(N-1) \times 3.5 \pm 4.90$
B	$(N-1) \times 3.5$

Poles	Tolerance
2P-6P	±0.15
7P-12P	±0.20
13P-18P	±0.25
19P-24P	±0.30

APTOS Technology CONFIDENTIAL  
 This document, and all information it contains, are the confidential, proprietary property of APTOS Technology. Disclosure, duplication or distribution of this document, or any information it contains, in whole or part, without prior written permission from APTOS Technology is strictly prohibited

GENERAL TOLERANCE UNLESS OTHERWISE SPECIFIED	
xxx. ± X	.xx ± 0.10
xx. ± X	.xxx ± X
x. ± 0.50	x' ± 1'
.x ± 0.30	.x' ± 1'

REV.	B2	DRAWN	07/07/03
DATE	07/07/03	CHECKED	
SCALE	4:1	APPROVED	
UNIT	mm		

# AP APTOS TECHNOLOGY

## RPLJ Series

3.50mm Terminal Block Header-R/A

PRODUCT NO. RPLJ- XXABXA-FG

FILE NAME: RPLJ- XXABXA-FG LF APD.DWG